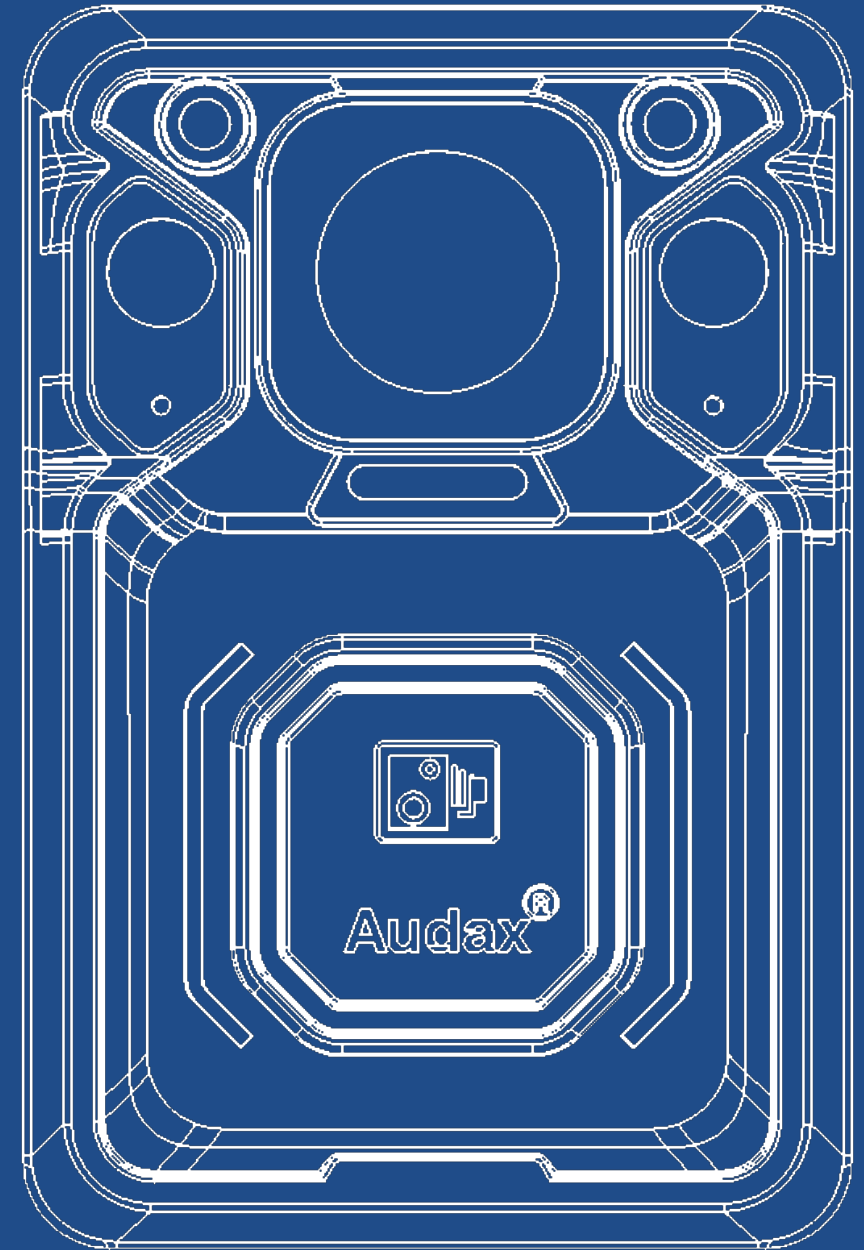


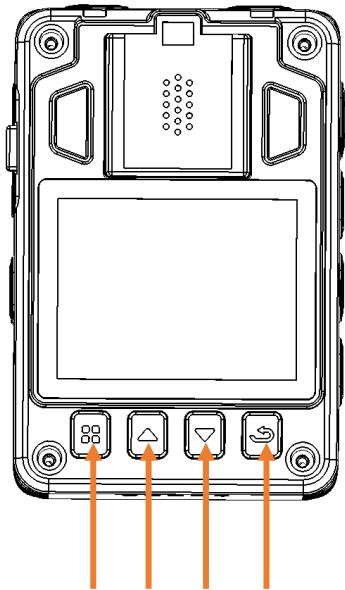
Audax®

BIO-AX

Admin User Manual



Buttons



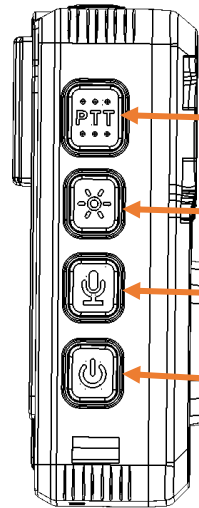
1 Menu Navigation Buttons

Enter - Select highlighted option

Up - Move cursor up

Down - Move cursor down

Back - Go to previous screen



2 Push to Talk

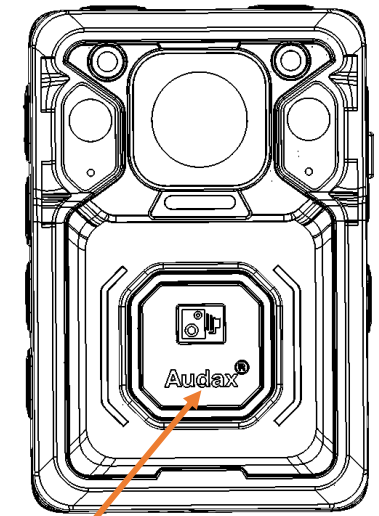
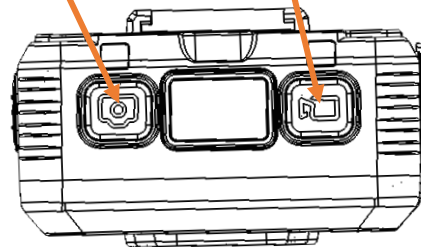
3 IR Light (hold for torch)

4 Audio Record (hold for laser pointer)

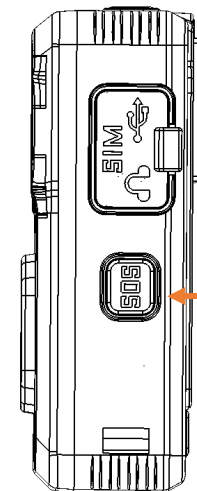
5 Screen off (hold for on/off)

6 Photo

7 Video Recording



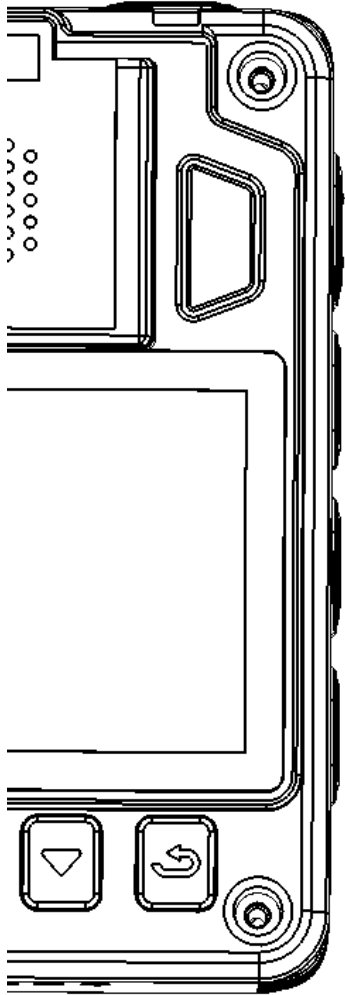
8 Front Video Recording



9 Tagging / SOS

Audax®

Quick Start



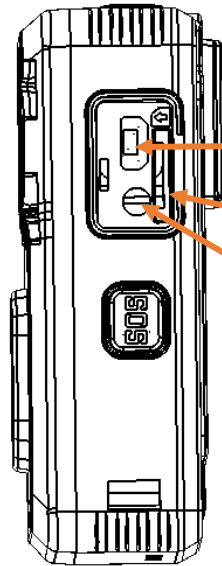
1 Record

You can press the button on the front or the orange button on top to record whilst the camera is turned on/standby.

If the camera is off you can hold the front record button for 5 seconds to turn the camera on and start recording automatically.

2 Clip

The Bio-AX® camera can work with any KlickFast clip or accessory but Audax also offer a range of bespoke options.



3 Accessory Ports

USB slot for charging with a computer or to attach an Audax® mini camera.

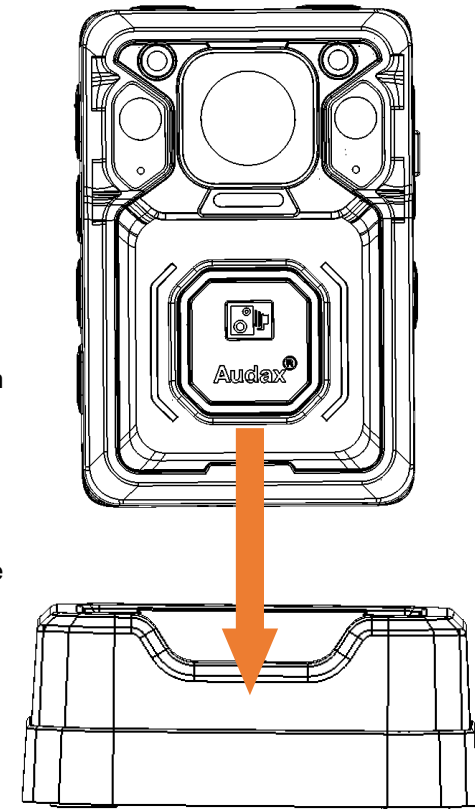
SIM card slot for using 4G communications with our CMS software.

2.5mm headphone socket for use with CMS software for comms.

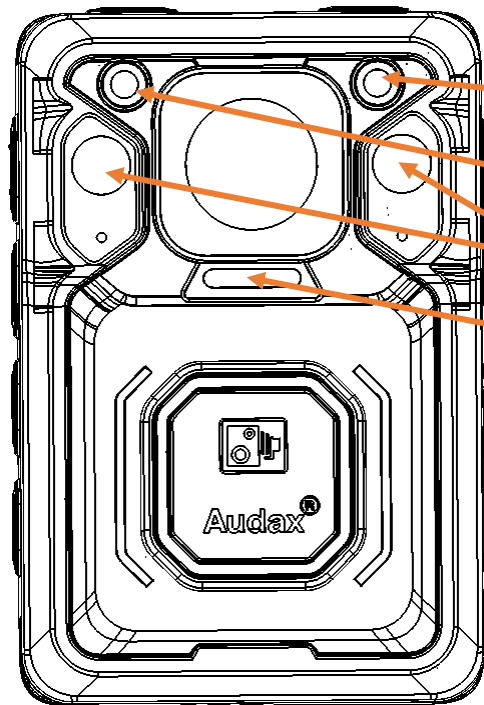
Quick Start

4 Docking

Bio-AX® can be used with our docking stations to make it easy to export footage to the Audax DEMS platform and of course for charging too.



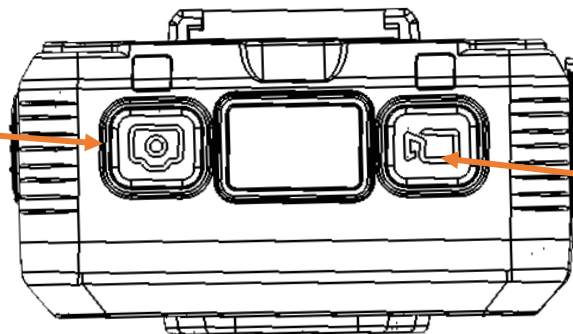
LED Lights



- 1 Light Sensor
- 2 Laser Pointer
- 3 Infa-Red Light
- 4 Torch / Warning Lights

Charging / Streaming 5

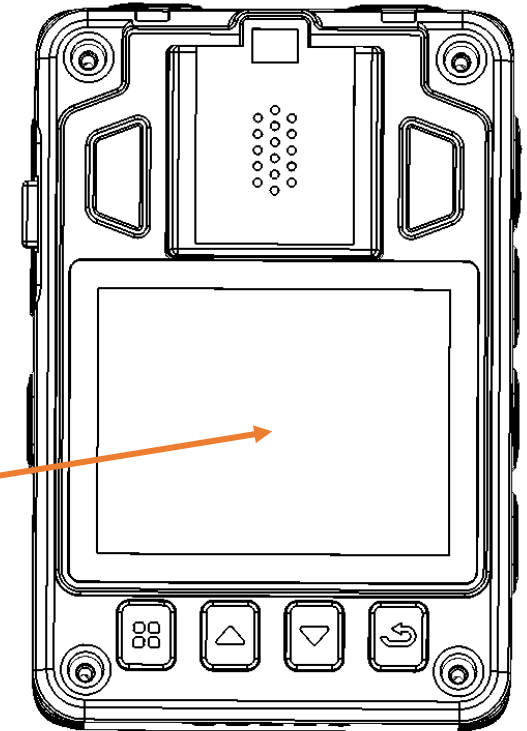
Blue = charging
Off = charged
White Flashing = not streaming
Solid white = streaming



7 Indicator

Red = Recording
Green = Standby

Screen



2" TFT LCD High Resolution Screen 6

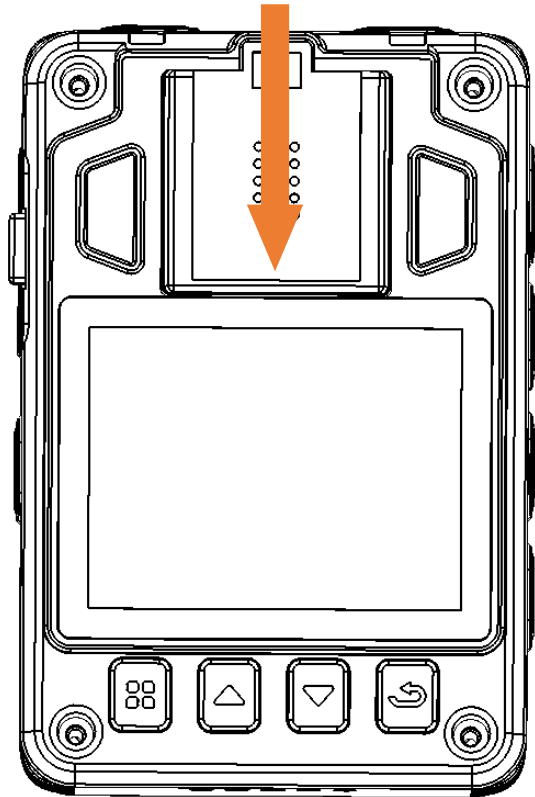
Audax®

Mounting

1 Clip Insert

You can slide clips into the top of the mount on the rear of the camera.

These will click when seated correctly.



2 Clip Removal

Pinch the top of the clip to release the mount.

3 KlickFast Stud

The Bio-AX® camera will work with any KlickFast accessory by using a KlickFast stud.

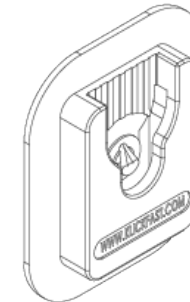
4 KlickFast Clip

Insert the KlickFast stud instead of the Crocodile Clip included with your camera.

5 KlickFast Docks

Slide the KlickFast stud into your chosen dock rotate 180 degrees to lock into place.

Mounting



General System Operation

1 Power On/ Off

Press the POWER ON / OFF button for 1 second; the camera will turn on and enter the standby mode (the device will vibrate).

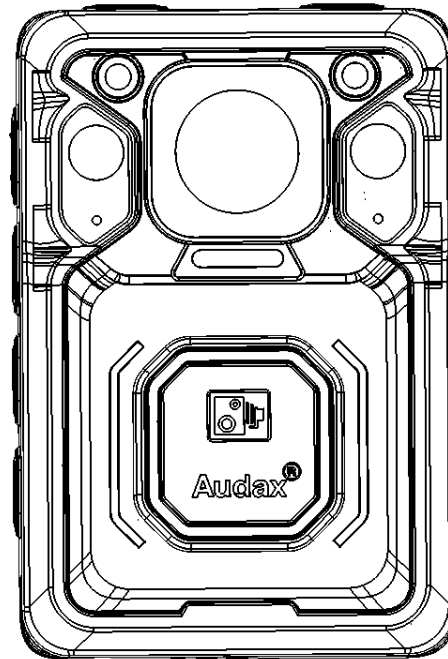
When the device is ON, pressing the POWER button for 1 second will turn the device OFF.

2 Video Recording

Once turned on, the device will automatically enter the camera preview mode and a live picture will be shown on the display screen. Press the RECORD button to commence recording; the device may vibrate and the “work” LED on the top will change to RED (flashing). A RED circle will also show on the display screen.

Press the RECORD button again to stop recording; the device may vibrate and the “work” RED LED will turn off. At this point, recording will stop (unless Post-event recording has been selected) and the video will be saved.

If recording is required in “low light” conditions, press the IR button (unless IR “Auto” has been previously selected). The IR illuminators will be turned on and the device will enter the night shooting mode.



General System Operation

3 Still Images

Once turned on, the device will automatically enter the camera preview mode. Press the PHOTO button to take still images.

As already mentioned in b.3. above; if photos are to be taken in “low light” conditions, turn on the IR illuminators (unless IR “Auto” has been previously selected).

When recording Video, the PHOTO button can be pressed to capture a picture while still recording at that time.

4 Audio recording

Once turned on, the camera will automatically enter the camera preview mode. Press the AUDIO button to record audio ONLY. The device will vibrate and the “work” LED on the top will change to AMBER (flashing).

Press the AUDIO button again to end audio recording, and the audio file will be automatically saved.

IMPORTANT NOTE

Video recorded or photos taken when IR has been selected will be in black and white only.

Warnings

1 Password Protection

The BIO-AX has two different Passwords set:

a. The “Settings” Menu has the initial password set as 888888. The software will not allow access to settings without using this password. Audax recommend that this Password is re-set and safely recorded at the earliest opportunity.

b. The “Replay” Menu has the initial password set as 666666. This allows you to give this password to the user so that they can view recorded footage (if you require). However, they will NOT be able to access other areas (settings) with this password. Audax recommend that this Password is re-set and safely recorded at the earliest opportunity.

IMPORTANT NOTE

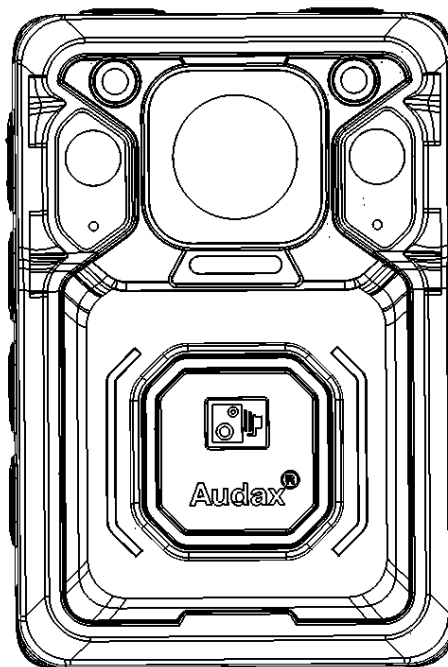
If, after setting, your password is lost then the device will have to be returned to be re-set. In that event, a fee will be chargeable and any footage held on the unit might be erased as part of the re-setting process.

2 Cables

Only ever use the supplied chargers and cables. Using other “similar” cables may invalidate the system Warranty.

3 Internal Memory

Gaining or attempting to gain physical access to the internal memory will invalidate the system warranty.



Warnings

4 Charging Battery

Prior to first use of the system, charge the battery for a minimum of 4 hours. When the battery is fully charged, the Red “POWER” LED on the top of the device will turn OFF. Please note that your camera may arrive already fully charged, so don't be surprised if, the first time you try to charge it, the red “charging” light does not come on.

5 Screen Protectors

The Chest Camera device will be dispatched with a protective film covering the camera lens (front) and viewing screen (back).

Please ensure that the film is peeled off before using.

6 Connection to PC

The Camera DOES NOT allow direct connection to a PC for downloading of data. The ONLY way this can be achieved is by using the CamManager software.

(Please note that this process is different if using the Audax Docking Station).

7 Changing Settings

We recommend that all recorded video / image files are backed up before changing any system settings. Failure to do so may cause recorded footage/files to be deleted.

Video Settings

1 Resolution

There are six options to select from. The higher the resolution the better video quality.

2 Quality / Bitrate*

Higher bit rate gives better quality.

3 Photo Size

There are six options to select from. The higher the size the better photo quality.

4 Selfie / Timer

Press  to initiate the selected countdown.

5 Timelapse

Press  to start taking pictures at the selected time intervals.

Press  again to stop.

6 Burst Mode

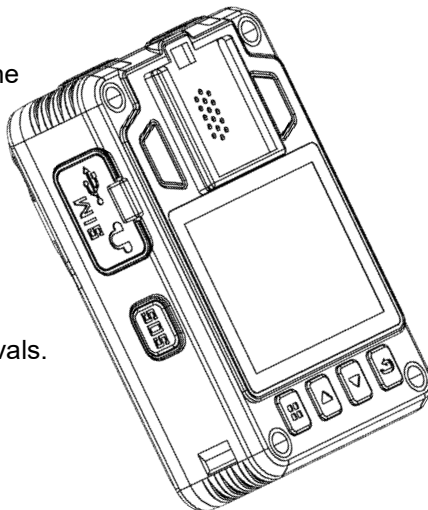
Press  to take as many pictures as selected

7 Streaming Resolution

There are six options to select from. The higher the resolution the better video stream quality.

8 Streaming Frame Rate

Higher frame rate means smoother video transmission.



Video Settings

9 Streaming bit-rate

Higher bit rate gives better quality streaming.

10 Streaming Control

Off / Video Only / Audio Only / Text Only / Audio and Video / All

11 H265 Encoding

This encoding saves battery and data at the cost of quality.

12 Pre-Record

Off / 5 Sec / 10 Sec / 15 Sec / 30 Sec / 60 Sec Records into a cache. When record is pressed this time is captured and camera will continue recording.

13 Loop Record

Overwrites oldest data to continue recording.

14 Post Record

Off / 5 Sec / 10 Sec / 20 Sec / 30 Sec / 60 Sec / 120 Sec.
Continue to record past when the stop record button has been pressed.

15 One Touch Recording

Camera records automatically when camera is turned on.

16 Video Length

2 min / 5 min / 10 min / 15 min / Off

(When set to off camera will record 30 minute clips)

Video Settings Continued

1 Mute Recording

Off / Only Pre-Record / On

2 Record Notification


Off / 5 Sec / 10 Sec / 20 Sec / 30 Sec / 60 Sec

Camera will make a noise at the allotted time to remind you it's recording.
(this does not affect the sounds at the beginning or end of recording.)



3 Motion Detect

Camera will detect movements and record automatically with this setting turned on.
Press the record button to arm.


4 Photograph

Press  to take a picture. This will work even when recording.

5 Audio Recording

Press  to start recording audio. Press  again to stop.


6 File Tagging

Press  the button whilst recording to mark the video clip as important.

Video Settings Continued

7 Quick Switch from Audio/Video recording

When video is recording press  to stop recording and start audio recording.

When audio is recording press  to stop recording audio and record video.

8 Playback

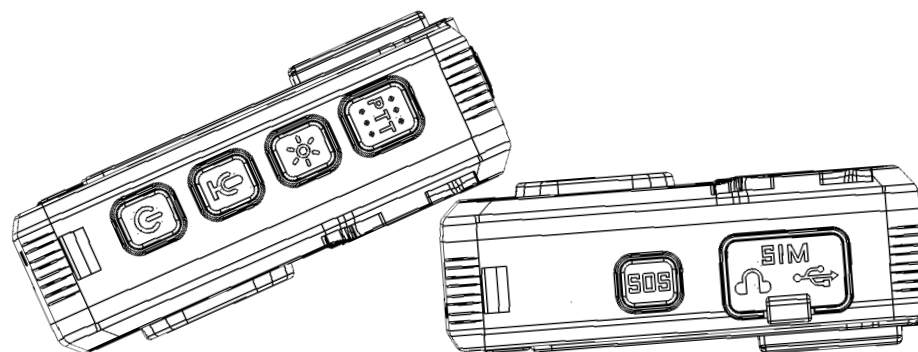
In preview mode press the back button to access Playback menu.
Choose from Video, Photo or Audio to browse.

9 One Touch Playback



Whilst in preview mode press and hold the back button to check the last file recorded.

10 Data Upload

Whilst in preview mode, press  then input the settings password. Select Data Upload and press  again to enter the video upload interface.



General Settings

- 1 Access Settings Menu**
Press  and enter the settings password and then click on 'General'.
- 2 Language**
Select the appropriate language for the camera.
- 3 GPS**
Turn GPS functionality On/Off
- 4 Vibration**
Turn vibration On/Off
- 5 IR Filter**
Off
Manual - Press  to toggle IR On/Off.
Auto - Will come on in low light even in preview mode.
Recording Auto - Will come on when recording in low light.
- 6 Auto Power Off**
Camera will turn off after the selected time period.
- 7 LCD Auto Off**
Screen will turn off after the selected time period.
Off - Screen will stay on.

General Settings

- 8 Key Tone**
Key press tone On/Off
- 9 Voice Volume**
Higher number means higher volume.
- 10 Voice Remind**
Camera will remind user when it's recording.
- 11 Hourly Reminder**
Turn hourly reminder On/Off
- 12 LED Light**
Turn LED indication On/Off
- 13 Car DV Mode**
Turn Car mode On/Off
- 14 File Tagging**
Turn LED indication On/Off
- 15 Stealth Mode**
On - Turn off all LED indicators, IR LED and all prompt sound.
- 16 Enhanced Standby**
Turn LED indication On/Off

General Settings Cont

17 Password Mode

Turn passwords On/Off

18 3G/4G SIM

This can turn the 3G / 4G module on and off. You can choose to turn it on manually and turn it on automatically. You can set SIM PIN, APN, APN username and APN password.

19 Wi-Fi

A. Turn Wi-Fi On/Off

B. Power-up start Off/Auto/Manual

Off: Wi-Fi will not turn on automatically

Auto: Wi-Fi will turn on automatically

Manual: Wi-Fi will need to be turned on manually.



C. Mode: AP / Station / Direct

20 Bluetooth

This can turn the Bluetooth module on and off. You can choose to turn it on manually and turn it on automatically.

About Device

1 Device Overview

In preview mode press  to enter into the setup menu, select the 'About' icon and press  again to go to the settings list.

It includes the below information;

- Location system info
- Total Space
- Remaining Space
- Remaining video
- Remaining Audio
- Remaining Photos
- Battery Status
- Temperature
- Server IP
- Server Port
- Account
- WLAN MAC
- WLAN SSID
- WLAN IP
- Bluetooth Address
- Serial Number
- Hardware Version
- Firmware Version

Cam Manager

1 Software Compatibility

Windows 7, 8, 10 and 11

Storage for Archiving (Server, Cloud or USB)

2 Cam Manager Login

Open the Cam Manager software on your computer. Connect the camera via a USB cable. Your camera will power on and connect to the computer.

There are two user types;

General User: This mode allows for media transfer only

Admin User: This mode allows for media transfer and also settings alterations.

3 Camera Info

After the login, the software will open on the camera Info Tab.

- **Device Info** - Device Model and barcode.
- **Other** - Device ID, User ID. Firmware Version, Battery Level, Free space, Watermark. Make changes by typing in the field and clicking 'Apply'.
- **Refresh** - Update battery status
- **Sync PC Date and Time** - Updates the camera time to match the host computer.
- **Open File Explorer** - Opens Windows Explorer so the user can access the SD card. Users will be able to check, copy or delete files.
- **Format Disk** - Erases the data on the camera.

Cam Manager

4 Settings Tabs

All of the settings are the same as repeated on pages 8 - 11

6 Change Password

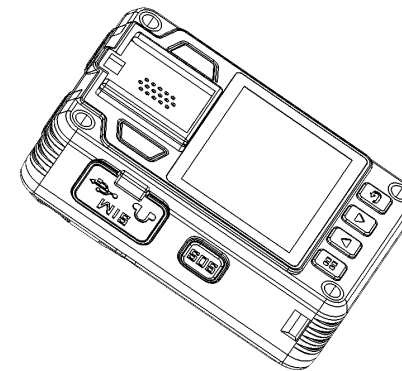
From here you can change the device passwords. Select the user type to the one you wish to alter.

Enter the admin password then enter the new password for the selected user.

Click apply to save.

IMPORTANT NOTE

Passwords can only be changed while logged in as an admin. The admin password will always be required when making changes to any account passwords.



USB Connection

IMPORTANT NOTE

Please charge the camera using cable and wall plug provided.

The battery used in the camera is Lithium Polymer.

When camera is fully charged, blue indicator light will turn off.

1 Charge via Computer

Be aware that since the current of a computers USB port varies this can cause the camera to not be able to fully charge.

2 Charge via Mains Power

Use the included power adapter and cable to charge the camera from a regular power outlet.

3 Charge via Dock

Use an Audax dock for your camera to charge and download multiple cameras at once.

4 Mini Camera Use

Once the mini camera is connected to the main camera via USB port, camera display will show capture from the micro camera.

When the micro camera is removed the display will resume the preview from the normal camera.

Connecting to CMS

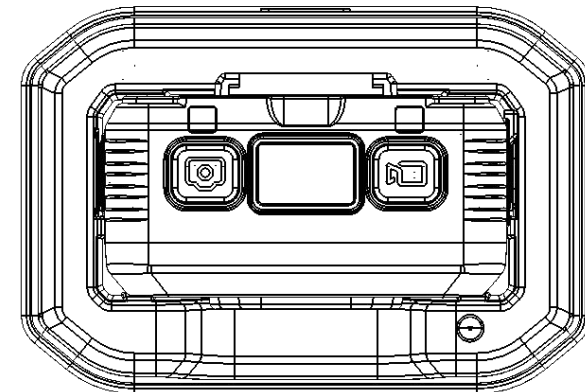
1 Update Camera Settings

In Cam Manager

- Click 'network settings', then click 'Wi-Fi Start' drop down which is under 'Wi-Fi'. Choose 'always on' and click apply.
- Then click 'mode' drop down which is under 'WiFi' and choose 'STA' then click apply to save the setting.
- Finally, find 'STA mode' under 'Wi-Fi'. Input the correct Wi-Fi name (SSID) into the textbox. Input the Wi-Fi password in the 'Password' textbox then click apply to save the settings.

2 Logging Into CMS

Input the correct Account, Password and Server IP address to log in.



Warranty

This product is warranted product against defects in material or workmanship for 2 years from the date of purchase. This limited warranty shall not apply to any product or item subjected to misuse, including static discharge or over charge, failure by user to follow User Guide instructions, product modification, ordinary wear and tear, negligence or improper use/operation. This limited warranty is also voided if the BWV is found to have an altered or tampered with serial number or if access or attempted access to the internal memory is suspected.

FCC Warning Statement

This device complies with part 15 of the FCC rules. Operation is subject to the following two conditions (1) this device may not cause harmful interference, and (2) this device must accept any interference received, including interference that may cause undesired operation. Changes or modifications not expressly approved by the party responsible for compliance could void the user's authority to operate the equipment. This equipment has been tested and found to comply with the limits for a Class B digital device, pursuant to Part 15 of the FCC Rules. These limits are designed to provide reasonable protection against harmful interference in a residential installation. This equipment generates uses and can radiate radio frequency energy and, if not installed and used in accordance with the instructions, may cause harmful interference to radio communications. However, there is no guarantee that interference will not occur in a particular installation. If this equipment does cause harmful interference to radio or television reception, which can be determined by turning the equipment off and on, the user is encouraged to try to correct the interference by one or more of the following measures:

- Reorient or relocate the receiving antenna.
- Increase the separation between the equipment and receiver.
- Connect the equipment into an outlet on a circuit different from that to which the receiver is connected.

Consult the dealer or an experienced radio/TV technician for help.

SAR Warning Statement

This Body Worn Camera meets the government's requirements for exposure to radio waves.

This Body Worn Camera is designed and manufactured not to exceed the emission limits for exposure to radio frequency (RF) energy set by the Federal Communications Commission of the U.S. Government. The exposure standard for Tablet PC employs a unit of measurement known as the Specific Absorption Rate, or SAR.

The SAR limit set by the FCC is 1.6W/kg. *Tests for SAR are conducted using standard operating positions accepted by the FCC with the phone transmitting at its highest certified power level in all tested frequency bands. Although the SAR is determined at the highest certified power level, the actual SAR level of the phone while operating can be well below the maximum value. This is because the phone is designed to operate at multiple power levels so as to use only the power required to reach the network. In general, the closer you are to a wireless base station antenna, the lower the power output.

The highest SAR (1g) values for the Body Worn Camera as reported to the FCC when tested for use on the body are:

Body: 1.145W/kg

Simultaneous: 1.438 W/kg

(Measurements differ among phone models, depending upon available accessories and FCC requirements.)

While there may be differences between the SAR levels of various phones and at various positions, they all meet the government requirement.

The FCC has granted an Equipment Authorization for this model phone with all reported SAR levels evaluated as in compliance with the FCC RF exposure guidelines. SAR information on this model phone is on file with the FCC and can be found under the Display Grant section of www.fcc.gov/oet/ea/fccid after searching on FCC ID: XMR201808EC25AF

For body worn operation, this Body Worn Camera has been tested and meets the FCC RF exposure guidelines for use with an accessory that contains no metal and the positions the handset a minimum of 1.0 cm from the body. Use of other accessories may not ensure compliance with FCC RF exposure guidelines. If you do not use a body-worn accessory and are not holding the phone at the ear, position the handset a minimum of 1.0 cm from your body when the phone is switched on.

Full details of our Terms and Conditions can be found on our website www.audaxuk.com

This Product is exclusively distributed Worldwide by Audax Global Solutions Ltd and all claims, questions and contact should be with Audax in the first instance

© Audax Global Solutions Ltd 2022

This document is not to be reproduced in part or in whole without the prior permission of Audax Global Solutions Ltd

Question	Analysis	Answer
Camera can't be powered on	Out of battery	Charge for 4 hours.
	Mainboard Protection	Use Reset button.
Working time of camera is short	Camera was not fully charged	Charging time should not be less than 4 hours.
Data Uploading Interrupted frequently	USB port of PC Can't supply enough power	Use the USB port of back panel
Camera can't be recognized by PC	USB cable issue	Change USB cable.
	Wrong driver	Reinstall driver.